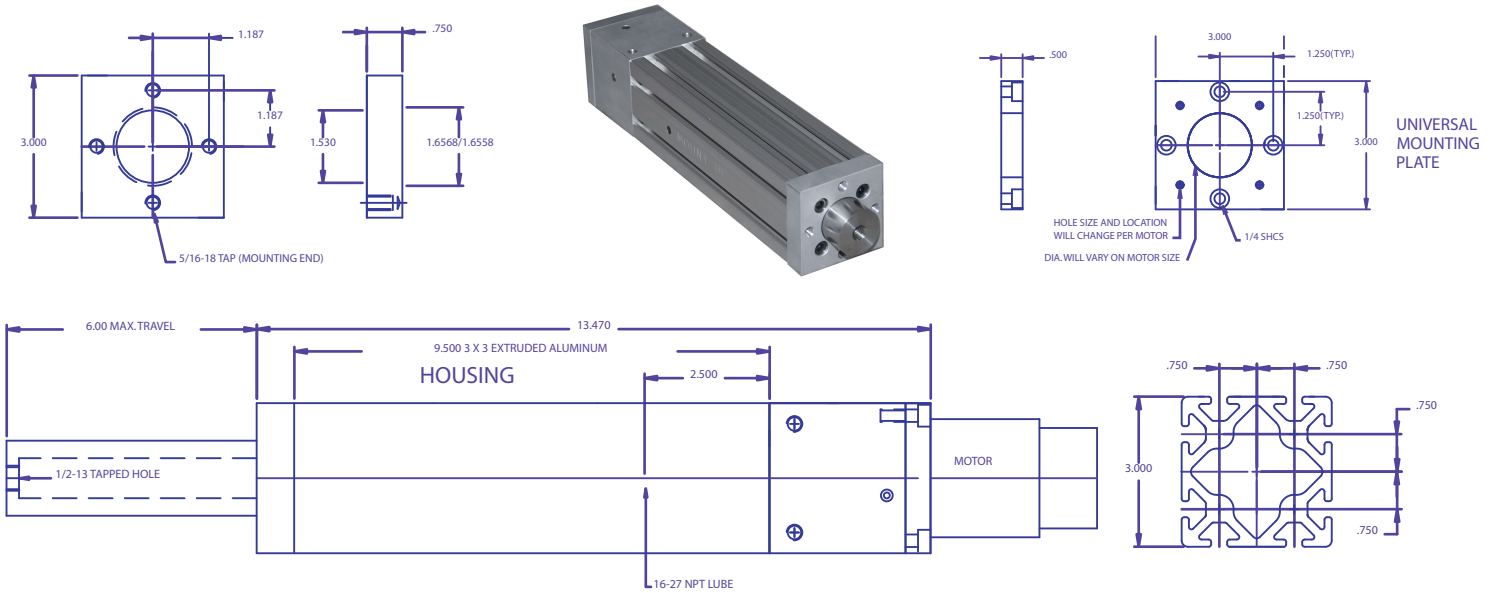


# SS Series Actuator



# Specifications

units: inches



## Part number selection table

Part Number	Stroke Lengths	Screw Lead	Max. Force
<b>SS- 72T-5-6/12/18</b>	6, 12, 18	.20" (5.08mm)	5700N

## Technical specification

- Linear thrust 1000lbsF (4448N) with a 400W servo. 2000lbsF (8896N) max.
- Speeds up to 10 in/sec (25mm/sec). Maximum input speed 5000rpm
- Positioning repeatability of 0.012mm (0.0005inch) for fine grained control.
- 3 inch square aluminum body.
- Cylinder mount, Clevis mount, and T-nut mount.
- The Smart Stroke can be ordered with or without a motor.

Motor options include the Cool Muscle CM1-C-23L20 with a gearhead or CM2-C-60A40A integrated AC Servo (Gear option 3:1, 5:1).

- Optional touch screen.

